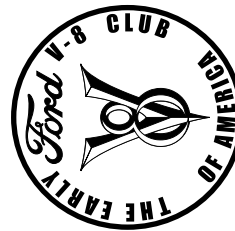
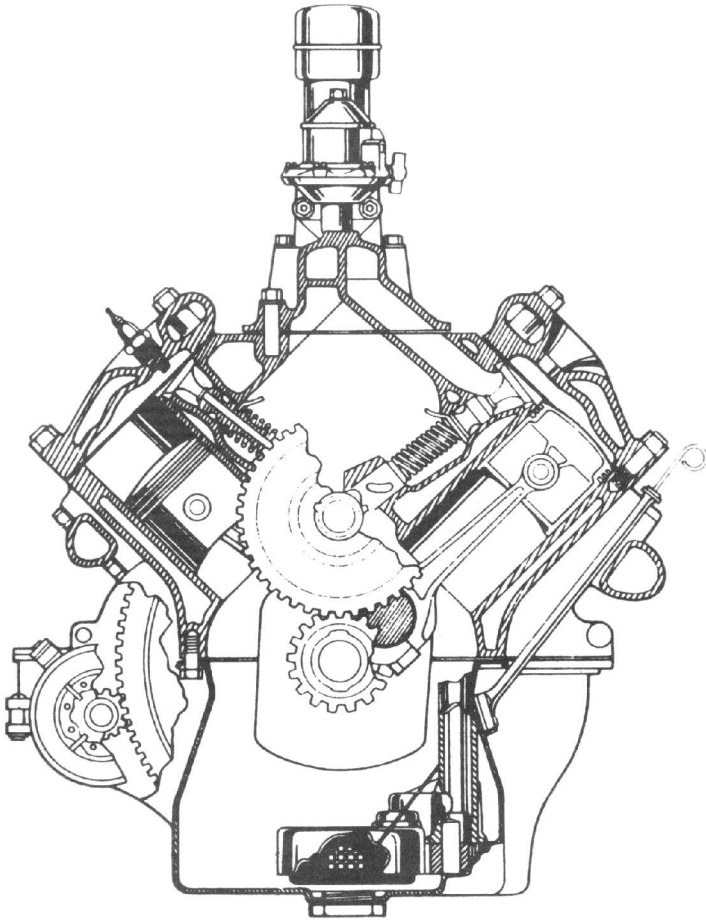




Drive Lines

Chapter #40
Our 49th Year
Visit Our Website
"valleyV8s.org"

Feb 2020



The Valley V8's
9700 Farralone, Chatsworth, Ca. 91311

The Valley V's

2020

President	Ernie Baily	805-433-5540
Past Presidents	Vaskin Hagopian	323-661-2044
Vice President	Jim Ellerbrock	818-437-0412
Secretary	Rex Jaramillo	213-706-3854
Treasurer	Joan Sapper	818-249-5686
Tours	Kenney Sapper	818-249-5686
	Rich Carter	708-567-2393
Programs	Larry Caplan	818-363-2849
	Joe DiFatta	818-700-1939
Membership	Howard Brown	818-606-0267
	Joan Sapper	818-249-5686
Drive Lines	Robert Glucksman	818-618-1395
Prize Raffle	Steve Lehman	818-885-6938
50/50	Ken Sapper	818-380-5686
Ladies / Birthdays / Sunshine	Bobby Searl	818-353-6767
Name Badge	Karen Lehman	818-885-6938
Car of the Month	Jim Ellerbrock	818-437-0412
Web Master	Scott Dudrick	818-687-9836
Tech. Advisor	John Wolf	818-789-6201

Past Presidents

Jim Rowe	1971
Doug Peterson	1972
Don Durkee	1973-1974
Ed Warnock	1975
John Busk	1976
Chip Werstein	1977
Stan Misraje	1978
Bill Culp	1979
Al Spencer	1980
Larry Caplan	1981
Bob Rose	1982
Don Durkee	1983
Paul Kirk	1984
Kent Lowry	1985
Dave Sanborn	1986
John Kemmerer	1987
Dudley Ochsner	1988
Jerry Jensen	1989-1990
Joe DiFatta	1991
Chuck Shubb	1992-1993
George Richards	1994
Jerry Littner	1995
Dick Smith	1996
Chuck Mair	1997
Dennis Keene	1998
Rose Golt	1999
Don Stout	2000
Steve Boskovich	2001-2002
Joe DiFatta	2003
Wendi Potter	2004
Ken Sapper	2005-2006
Steven Batesole	2007
Harry Baker	2008-2009
Dave Bergman	2010
Randy Watson	2011-2012
Steve Boskovich	2013-2014
Stan Miller	2015
Don Durkee	2015
Vasken Hagopian	2016-2018
Ernie Baily	2019-????

Meeting: 1st Tuesday of the Month, 7:00p
 No host Dinner, Starting at 6:00p
 Rosie's BBQ & Grill, 8930 Corbin Ave.
 Northridge, Ca. 91324

Visit our Web Site: valleyv8s.org

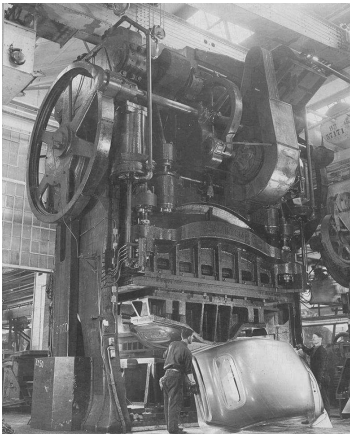
Facebook: **Valleyv8s**

(<https://www.facebook.com/groups/579123315803014>)

Drive Lines is Published by
 The San Fernando V8's Regional Group 40
 of the Early Ford V8 Club of America
 9700 Farralone, Chatsworth, Ca. 91311

Our Next Meeting

Tues, 4 Feb 20



And now for some
"Pressing" News

It is with sadness to report the passing of two Ford Club members....

David Sanborn..(President 1986)

Bob Rose.. (President 1982)

Our Deepest Condolences to their families .

Tickets for Long Beach Grand Prix:

Bill Green announced that he has
VIP tickets available for \$300 apiece.

These include best seats, hospitality tent, and much more.

HELLO FELLOW MEMBERS

We would like to know more about You,
Your Car...

So, What I would like from our members is
a picture of you with your car, with a small
story. (1 Paragraph)

That way, We get to learn more about our
members, & we can put a face to a name &
car

Please make all submissions to ether
"Drivelines" at madmodelr@aol.com, or
"Drivelines" 9700 Farralone Ave.

Chatsworth, Ca. 91311

Thank You


Rob Glucksman, DL Editor

"Your Ad Here"
For only \$5.00 a month,
YOU
can have your
business card ad
right here

For more details,
Please call or Email Rob at
818-882-2002, / madmodelr@aol.com
Please put "Drivelines" in the subject
Please make all payments to
"Valley V8 Club"



Great Western Container



SOLUTIONS IN PACKAGING AND GRAPHIC DESIGN

Steve Boskovich

Office (818) 341-2291
Cell (818) 903-6620
Fax (818) 341-1050

P.O. Box 4074
Chatsworth CA 91313



SAN FERNANDO VALLEY V8's CHAPTER 40

www.ValleyV8s.org

Meets first Tuesday of
the month at 7 p.m.

Rosie's BBQ

8930 Corbin Ave. • Northridge, CA 91324

SPEEDWAY ENGINEERING



**Ken Sapper
President**

ken@1speedway.com
Office: 818.362.5865
Cell: 818.326.1286
Fax: 818.362.5608
13040 Bradley Avenue
Sylmar, CA. 91342
www.1speedway.com

Models Unlimited



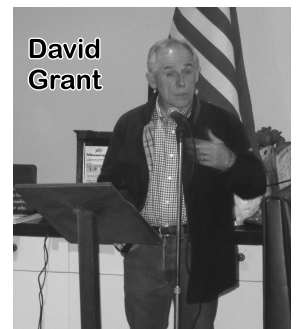
Cars / Planes
Slot Cars
Figures
SciFi / Horror
Motorcycles
Buy / Sell
Old / New
Built / Unbuilt
Prototypes
Made to Order
We also carry Paints, Photo Etch,
AfterMarket, & Other Supplies
If we don't have it,
We can probably help you find it

the MadModelr
Robert Glucksman
Chatsworth, Ca. 91311
office: 818-882-2002
cell: 818-618-1395
madmodelr@aol.com

A Division of R.H. Factor Graphics

Program / Speaker

Program: Larry Caplan introduced our guest for the evening: David Grant. Now David has the most interesting life in the land. He owns a restoration shop and he's a judge at Pebble Beach. Young David's dad was a car guy and many years ago, Larry Caplan went to their house to look at something that David's dad was selling. That's where he met David, who was a teenager at the time but already shaping up to be a car guy in his own right. David was born in Charleston, South Carolina, moved to California at a young age and grew up in Sylmar. His Dad was a career military man, and always had old cars in the household, which included 'other' makes such as Nash, Packard, and Studebaker. When he was 14 David bought his first car, a Ford Model A 2-door sedan. He paid \$50 for it, and still has it! As a kid growing up in Sylmar during the 1970's, he watched the Nethercutt museum being built. Some years later, in 1981, David got a job working at the Nethercutt Museum car collection shop, learning basics in restoration and proper car assembly. In 1986 David left Nethercutt and went to work at Scott's Restoration Shop, which specialized in 300 SL Mercedes restoration projects. In 1993, David made the big break and started his own restoration shop in Santa Clarita, specializing in European sports cars. Two years later, David entered Pebble Beach for the first time, and he was hooked! The Pebble Beach Concours d'Elegance is a charitable event held in August every year on the Pebble Beach Golf Course in Pebble Beach, California. It's considered the most prestigious event of its kind. First time out, David entered an AC Cobra and took first place. First year, first place, pretty swell! And in subsequent years, David entered other cars restored by his shop and took more first places, this guy was on a roll! In 2004, he was chosen to be a judge at Pebble Beach. Roll the hands of time forward, and this year will be his 16th year of judging. David finds it more relaxing than entering cars. Over the years, David has had a variety of judging opportunities. Some of the classes he's judged are Mercedes, hot rods, street rods, and sports cars. He's judged with the likes of Ken Gross, who is an award-winning automotive journalist, and Don Montgomery, who was a hot rodder, author, and businessman. So, the big question is, how does one enter a car in Pebble Beach? First go to the Pebble Beach website, download and print an Application. Keep in mind that there are 1,000 applications reviewed, and 200 vehicles chosen for Pebble Beach, so shine 'er up real good before applying there, Slick. In summary, great presentation, David! Thanks for sharing insights into the world of high-end hot rods and classics.



Upcoming Speakers: We have Cliff and Howard for our Feb. Meeting, and we have asked Doug Peterson to talk about his memories with his Dad and the other founding members of "The Valley V8 Club"

CAR OF THE MONTH

COTM: Handled by Jim Ellerbrock and Rob Glucksman,

COTM, won by, Kenny & Joanie Sapper with their beautiful, 40 Ford Delux 2D Sedan

Next Month, We the board are going to try something "Different". Something to get "YOU", the members more involved

Starting with the Feb. meeting, a board member will pick someone at the meeting to pick the COTM



CHAPTER 40 -- SAN FERNANDO VALLEY V-8'S CLUB
MONTHLY MEETING MINUTES FOR
Tuesday January 7, 2020

7:00 pm: Meeting called to order

President Ernie Baily opened the meeting, welcomed the group, led us in the Pledge of Allegiance.

Guest Introductions: The following people were introduced as our guests: *Rick White* and *Dennis Mattock*, Ford V-8 guys from our Ventura V-8 Club chapter. Welcome, fellows!

Comments from our President: *Ernie Baily* announced the date and time for our annual Board meeting: Thursday January 16 @ 6 pm. He asked the Board to come ready to share ideas.

Comments from our Vice-President: *Jim Ellerbrock* shared info and dates for some upcoming car events: Cruise-in at the Rockabilly Café, first Saturday of the month, starts on **April 7**. Upcoming Swap Meets: Pomona Car Show & Swap Meet **March 1**. Long Beach High Performance Swap Meet -- **February 9** and **March 8**. Feedback about Christmas Party: Jim has received Club member feedback, is seeking more. Let him know of any ideas you may have.

Activities with other Clubs: Ernie Baily re-introduced our two guests from the Ventura V-8 Chapter: Dennis Mattock and Rick White. Rick is also the president of the Santa Barbara Woodie Club. The two men shared ideas of activities and cruises that both our local Chapter 40 V-8 Club and the Ventura Chapter could participate in together. One event the Ventura Chapter has planned is 'Woodies at the Beach', held at Santa Barbara City College on Saturday **July 25**. Other Ventura Chapter events include a cruise to the Reagan Library, the 'Wings Over Camarillo Air Show', and a cruise to the Automobile Driving Museum in El Segundo. This is a great opportunity to hang out with other car people and get our old Fords out on the road. Stay posted for more dates and information.

7:20 pm: Break called 7:45 pm: Meeting resumed

Reports from Officers:

Secretary *Rex Jaramillo*: All OK.

Treasurer -- *Joan Sapper*: Gave a Club financial report, all good.

Tours -- *Ken Sapper*: Grand National Roadster Show: Coming up the weekend of **Jan 24 through 26**. This is the oldest hot rod show in the world, the 'Granddaddy of them all', it's been around since 1950. See the world's finest hot rods, street rods, and Kustoms. It's also the home of the coveted America's Most Beautiful Roadster trophy. NASCAR News: The Penske crew just made some changes. Paul Wolfe is now the crew chief for Joey Logano. Todd Gordon became the crew chief for Ryan Blaney. And Jeremy Bullins will be paired with Brad Keselowski. Cheers, Penske team!

New Membership & Directory officer: Sandrine and Oliver have a heavy work schedule at this time, so they asked to bow out from the club Membership & Directory responsibility. *Howard Brown* has agreed to take over that office.

Drive Lines Editors *Robert Glucksman*: All good. Encouraged us to visit the website for additional info and photos, cheaper than printing in Newsletter.

Vice President -- *Jim Ellerbrock*: All good.

Ladies Raffle Handled by *Bobbie 'green thumb' Searl*: Joan Sapper and Reenie Jaramillo were the thrilled winners of beautiful floral arrangements.

Birthdays Handled by *Bobbie 'birthday' Searl*: Bobbie announced names of overjoyed Club members who have birthdays in January that they'll be celebrating.

Program: *Larry Caplan* introduced our guest for the evening: David Grant. Thanks for sharing insights into the world of high-end hot rods and classics.

Name badge: Won by Pam Buck.

50/50 Drawing: Handled by *Ken Sapper* won by Bill Green.

Raffle: Handled by *Steve Lehman*, prizes won by many happy people. Good job, Steve!

8:42 pm: Meeting adjourned

From The President

Dec 19

Hello Everybody,

Happy New Year! Hope you all had a great Xmas and Happy New Year. First, I want to thank everyone who attended the Holiday Brunch. I want to thank all the officers of the club who help setup the event and of course all the officers for their help though out the whole year. This next year I would like to plan more tours for us to drive our cars, I'm also hoping to improve our "DriveLines" newsletter and get it out to our members via online as well as print. I would like to develop a couple of "Club themed Items" such as those Nice Blue Denim Shirts, I see a couple of our members wearing from time to time. One of my jobs early on when I joined the club was the "Accessories" chairman. I would like to see that come back to some degree. Of course I'm always looking for ideas, so if you have suggestions, tour locations, just drop me a email or give me a call. (I have a new cell number 805-433-5540). Well! Here we go again! I hope to put together a board meeting in January so we can "Kick Off" the new year right! See at the Meeting on Jan 7th.

Prez Ernie

Jan 20

Hello All,

Once again I'm late to get this off to Rob! Now that the Hoildays are over its time to get planning for 2020. I just had a board meeting and everyone is ready to get this year going. Here is some highlights:

- 1.** Update our member data base and get to the point that we can send out the Drivelines out thru a E-mail link that will allow us to put more content in and save some costs of postage.
- 2.** Speakers: We have Cliff and Howard for our Feb. Meeting. and we have asked Doug Peterson to talk about his memories with his Dad and the other founding members of "The Valley V8 Club"
- 3.** Tours: Starting with our Feb. tour. Joining with the Ventura V8 Club on a Sat Feb.22nd tour to the Reagan Library tour. Plus we have a lot of places to potently visit. Do a couple more joint tours with some other clubs as well.
- 4.** Looking into developing some club specific items such as Denim shirts, T-Shirts, coffee mugs and other stuff.
- 5.** Looking into some other locations for our Holiday Xmas Brunch.
- 6.** I plan on asking a member to write a "Members Profile" every month to be inserted into the Drivelines. A great way to get to know our members.
- 7.** Change the way we pick " the Car of the Month" at the meeting. I'll pick two people to select the car and to include all brands of vintage cars that attend.

So at the next meeting we can discuss these things and and other ideas you might have.

So I looking forward to the new year to get out and enjoy our cars and the camaraderie of our fellow V8 Club members.

So I'll see you all at the Feb. 3rd meeting!

Prez Ernie

**Ventura Early Ford V8 Club -
2020 Activity Calendar
February Meeting - Tues 18th
EVENT- Sat 29nd - Reagan
Library Tour**

**March Meeting -Tues 17th
EVENT Sat 21st Spring Flower
Day Drive Lancaster & Boron Borax
Mine
Tour, NASA Lunch &
Blackbird Airpark Exhibits Palmdale**



Dennis Mattock & Rick White,
from our Ventura V-8 Club,
with our own Prez, Ernie

**The Valley V-8's
2020 Membership Application & Renewal Form**

In order to continue to receive the Drivelines and remain in the roster

Or to join our club

Please renew your membership by February 15, 2020

Name: _____ **Birthday Month:** _____ **Day:** _____

Spouse: _____ **Birthday Month:** _____ **Day:** _____

Address: _____ **City:** _____ **State & Zip** _____

Phones - Home _____ **Cell** _____ **Work** _____

Email: _____

Occupation: _____

Year Joined: _____

Early Ford V-8 Vehicle(s) Owned - if same as prior year write "NO CHANGE"

<u>Year</u>	<u>Make</u>	<u>Model</u>	<u>Body</u>	<u>Style</u>
-------------	-------------	--------------	-------------	--------------

For Regional Membership: Send a \$35.00 check - payable to: Valley V-8's

**Mail check to: Valley V8Es C/O Howard Brown, 20036 Tuba St. Chatsworth, Ca.
91311**

If you have any questions please call 818-606-0267 Email: brngarage@gmail.com

NOTE: For us to meet insurance requirements, a Regional Group Member MUST also be a member of the Early Ford V-8 Club of America. Minimum membership is \$35.00 per year. Please contact me for mailing information or <http://www.earlyfordv8.org>