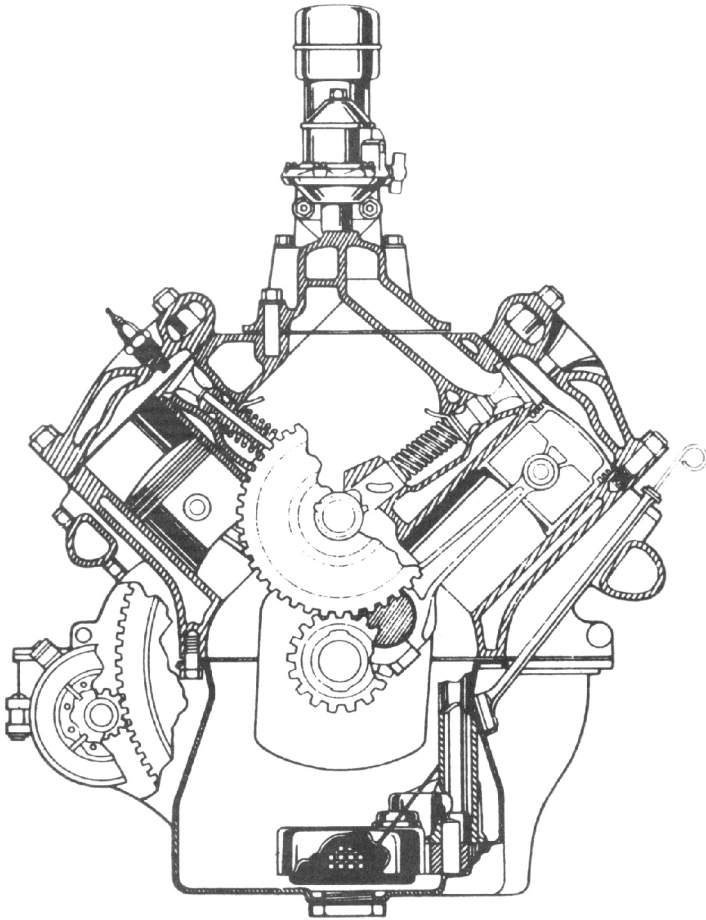




# Drive Lines

Chapter #40  
Our 48th Year  
Visit Our Website  
"valleyV8s.org"

Nov 2019



The Valley V8's  
9700 Farralone, Chatsworth, Ca. 91311

# The Valley V's

## 2019

President	Ernie Baily	805-428-0558
Past Presidents	Vaskin Hagopian	323-661-2044
Vice President	Jim Ellerbrock	818-437-0412
Secretary	Rex Jaramillo	213-706-3854
Treasurer	Joan Sapper	818-249-5686
Tours	Kenney Sapper	818-249-5686
	RichCarter	708-567-2393
Programs	Larry Caplan	818-363-2849
	Joe DiFatta	818-700-1939
Membership	Sandrine Cutright	310-804-7790
	Oliver Calibet	818-310-8571
	Joan Sapper	818-249-5686
Drive Lines	Robert Glucksman	818-618-1395
Prize Raffle	Steve Boskovich	818-341-6876
50/50	Ken Sapper	818-380-5686
Ladies / Birthdays / Sunshine	Bobby Searl	818-353-6767
Name Badge	Karen Lehman	818-885-6938
Car of the Month	Jim Ellerbrock	818-437-0412
Web Master	Scott Dudrick	818-687-9836
Tech. Advisor	John Wolf	818-789-6201

Meeting: 1st Tuesday of the Month, 7:00p  
 No host Dinner, Starting at 6:00p  
 Rosie's BBQ & Grill, 8930 Corbin Ave.  
 Northridge, Ca. 91324

Visit our Web Site: [valleyv8s.org](http://valleyv8s.org)

Facebook: **Valleyv8s**

(<https://www.facebook.com/groups/579123315803014>)

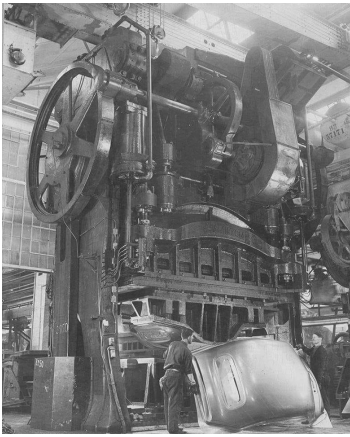
Drive Lines is Published by

The San Fernando V8's Regional Group 40  
 of the Early Ford V8 Club of America  
 9700 Farralone, Chatsworth, Ca. 91311

# The Valley V's

## Past Presidents

Jim Rowe	1971
Doug Peterson	1972
Don Durkee	1973-1974
Ed Warnock	1975
John Busk	1976
Chip Werstein	1977
Stan Misraje	1978
Bill Culp	1979
Al Spencer	1980
Larry Caplan	1981
Bob Rose	1982
Don Durkee	1983
Paul Kirk	1984
Kent Lowry	1985
Dave Sanborn	1986
John Kemmerer	1987
Dudley Ochsner	1988
Jerry Jensen	1989-1990
Joe DiFatta	1991
Chuck Shubb	1992-1993
George Richards	1994
Jerry Littner	1995
Dick Smith	1996
Chuck Mair	1997
Dennis Keene	1998
Rose Golt	1999
Don Stout	2000
Steve Boskovich	2001-2002
Joe DiFatta	2003
Wendi Potter	2004
Ken Sapper	2005-2006
Steven Batesole	2007
Harry Baker	2008-2009
Dave Bergman	2010
Randy Watson	2011-2012
Steve Boskovich	2013-2014
Stan Miller	2015
Don Durkee	2015
Vasken Hagopian	2016-2018
Ernie Baily	2019-????



And now for some  
*"Pressing" News*

# Our Next Meeting

## Tues, 5 Nov 19

### HELLO FELLOW MEMBERS

We would like to know more about You,  
 Your Car...

So, What I would like from our members  
 is a picture of you with your car, with a  
 small story. (1 Paragraph)

That way, We get to learn more about our  
 members, & we can put a face to a name  
 & car

Please make all submissions to ether  
 "Drivelines" at madmodelr@aol.com, or  
 "Drivelines" 9700 Farralone Ave.  
 Chatsworth, Ca. 91311

*Thank You*

Valley V-8 Club BBQ The annual Club BBQ was held on Sunday afternoon, Sept. 15 at the home of Sue and Steve Boskovich. The temp was warm but not over bearing There were approximately 40 people in attendance, (members and guests). Drinks were provided and socializing took place in the backyard before the meal was served. Pulled Pork and Turkey were the main meats with a plethora of salads provided by the members. Many delicious deserts from the members were also enjoyed. Al Mooney graciously gave a small talk on being "free" and sang a couple of songs. A good time was had by all. Thanks again to Sue and Steve for hosting.

Jim Ellerbrock

## SPEEDWAY ENGINEERING



**Ken Sapper**  
 President  
 ken@1speedway.com  
 Office: 818.362.5865  
 Cell: 818.326.1286  
 Fax: 818.362.5608  
 13040 Bradley Avenue  
 Sylmar, CA. 91342  
 www.1speedway.com

### "Your Ad Here"

For only \$5.00 a month,

**YOU**

can have your  
 business card ad  
 right here

For more details,

Please call or Email Rob at  
 818-882-2002, / madmodelr@aol.com

Please put "Drivelines" in the subject

Please make all payments to  
 "Valley V8 Club"



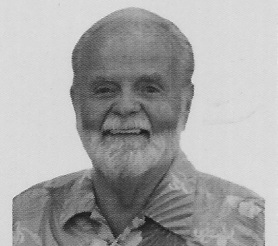
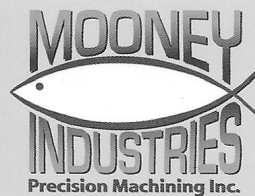
Cars / Planes  
 Slot Cars  
 Figures  
 SciFi / Horror  
 Motorcycles  
 Buy / Sell  
 Old / New  
 Built / Unbuilt  
 Prototypes  
 Made to Order

We also carry Paints, PhotoEch,  
 AfterMarket, & Other Supplies  
 If we don't have it,  
 We can probably help you find it

A division of R.H. Factor Graphics



the MadModelr  
**Robert Glucksman**  
 Chatsworth, Ca. 91311  
 Office: 818-882-2002  
 cell: 818-618-1395  
 madmodelr@aol.com



**AL MOONEY**  
 C.F.O.

8744 REMMET AVE.  
 CANOGA PARK, CA 91304  
 (818) 998-0199  
 FAX (818) 341-2073

al@mooneyindustries.com

# From The President

Well, to start out with, Hope everybody is doing well. We had a great "Auction Night" we helped out the club to the tune of just over \$600. For some reason I had a hard time getting into the spirit of the event, but after a while I got going! We had a wide variety of things to auction off to say the least. But I hope everyone who attended had Fun!

Not much to report on my "Project " Studebakers of my brothers. Still haven't been able to remove the stubborn brake drum.

.....On my brother's 64 GT Hawk it looks like the fuel pump is the problem there. Hopefully when we get that changed we should be driving it around with no more problems.

Just a reminder to everyone we have the Holiday Party coming up and also club officer elections. I highly recommend getting involved! Everybody have a fun Halloween and I'll see you at the next Club meeting.

Ernie Bailey

---

---

## CHAPTER 40 -- SAN FERNANDO VALLEY V-8'S CLUB

### MONTHLY MEETING MINUTES FOR

Tuesday October 1, 2019

**7:00 pm: Meeting called to order**

President Ernie Bailey opened the meeting, welcomed the group, led us in the Pledge of Allegiance.

**Guest Introductions:** Tonight we had two guests: Monty Goff, and Scott Robertson. Welcome, you two!

**Comments from our President:** Ernie Bailey

**Upcoming car shows:** Ernie announced numerous Car Show's and Cruises coming up. Never a dull moment for Car People in So Cal!

#### **Reports from Officers:**

**Secretary** Rex Jaramillo: All OK.

**Treasurer** -- Joan Sapper: Gave a Club finances report, all good.

**Drive Lines Editor** Rob Glucksman: Rob reminded us of the four addendum labels that contain Members' names and information. These labels were sent out in the last issue of Drivelines monthly Newsletter. The labels may be placed in the latest 2019 Valley V-8 Directory to update it. The 2020 version will be updated with these and other new club members' names and information.

**Steve Boskovich** -- announced again he's retiring from his Club task as raffle coordinator. Next month may be the last raffle for awhile. The monthly raffle is an important fundraiser for our Club. Whoever steps up and takes responsibility will receive tons of help from Steve. There are lots of shortcuts that Steve will pass along.

**7:20 pm: Break called 7:35 pm: Meeting resumed**

**Announcement: Dave Bergman** Made an announcement regarding the largest functional vintage steam locomotive in existence, the Big Boy 4014. The 4014 is one of 25 Big Boys built in 1941 for Union Pacific. It was retired in 1959, and stored for public view and display at the L.A. County Fairgrounds. But that wasn't the end of Big Boy. It spent the last five years in Cheyenne, Wyoming being restored, converted to run on oil (vs. coal), then christened and put back into service there. For vintage train enthusiasts, this is huge. There are some major events coming up next week showcasing ol' 4014. Big Boy will be heading from Utah across to California. It's scheduled to be at Barstow a week from today. Then it will arrive in the Los Angeles area, specific date still TBD. Anyone can go on line through the Union Pacific website and view the 'steam schedule'. It has stop times, information about excursion rides, and so forth, a great opportunity here!

**Joan Sapper** announced that Club rosters are available for members who didn't get one.

**Break called. 7:20 pm. Meeting resumed: 7:35**

**Our program:** After the break, our Auction commenced, conducted by President Ernie Bailey and assisted by Steve Boskovich, who kept things moving along at a brisk pace. All transactions were recorded by Leslie Littner and Joan Sapper. It was a very entertaining fast-paced auction, with a great selection of goods brought in by charitable Club members. Thanks all who brought and bought items, we did well.

**Meeting ended: 8:55**



**SAN FERNANDO VALLEY V8's**



**CHRISTMAS PARTY**

**Brunch 10 AM to 2 PM  
Sunday December 1, 2019**

**Knollwood Country Club  
12024 Balboa Blvd. Granada Hills**



*Please make your check payable to "Valley V-8's"  
If able, please pay at the November meeting, or Mail check with flyer to me:*

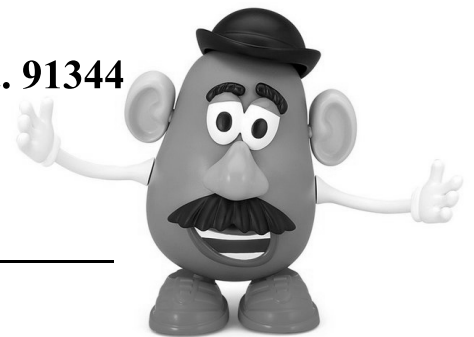
**Jim Ellerbrock  
10937 Babbitt Ave., Granada Hills, Ca. 91344**

**Members: \$35, Per Person  
non-members: \$45, Per Person**

***Names of Party Goers:* \_\_\_\_\_**

***Home Phone:* \_\_\_\_\_**

***Amount Enclosed:* \_\_\_\_\_**



**Please bring an unwrapped gift for a Child or Mom, for donation to  
Haven Hills,  
the women's and children's shelter for abused families  
The donated toys and women's items go to them to select as gifts for each  
other.**