



# Drive Lines

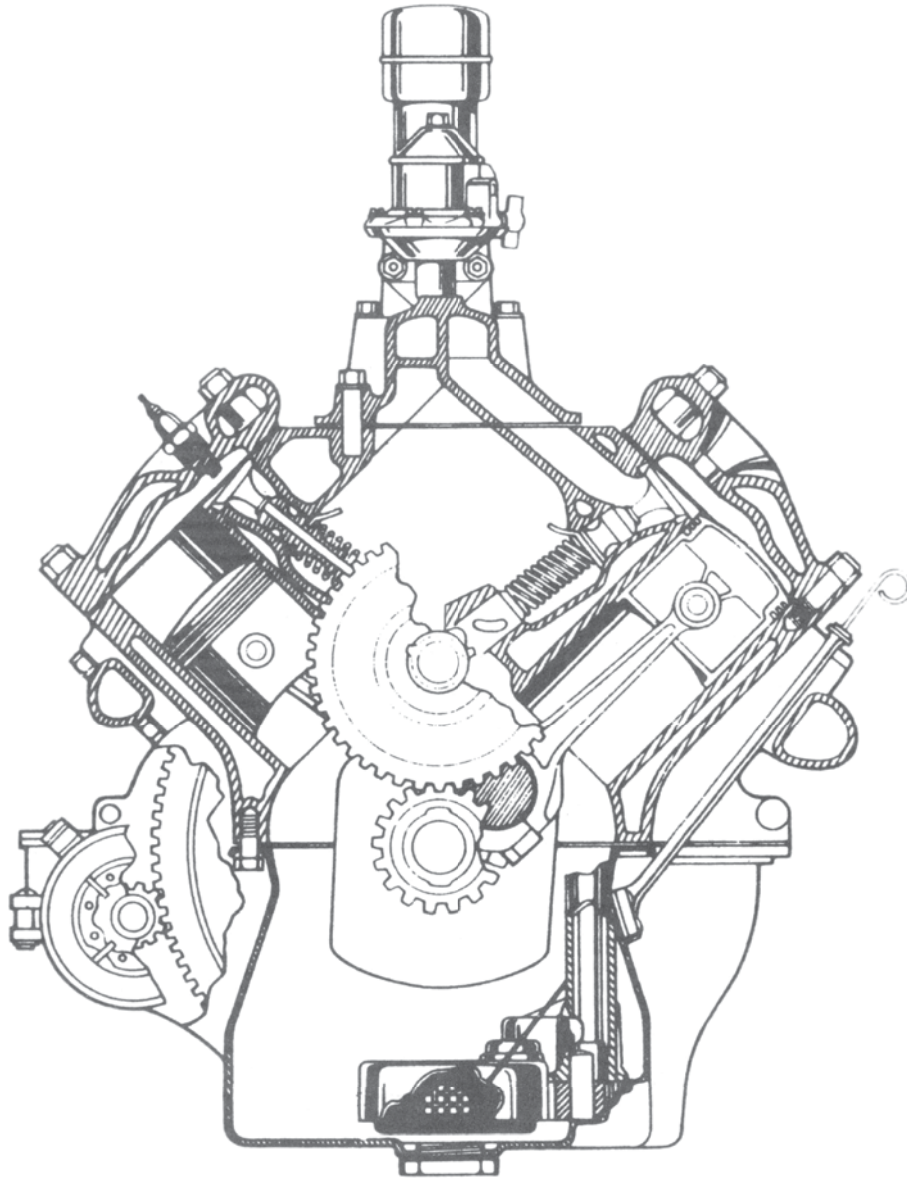
Chapter #40

July 22

*Our 51st Year*

*Visit Our Website*

*"ValleyV8s.org"*



**The Valley V8's**  
**9700 Farralone, Chatsworth, Ca. 91311**

# The Valley V's

2022

President	Ernie Baily	805-433-5540
Past Presidents	Vaskin Hagopian	323-661-2044
Vice President	Jim Ellerbrock	818-437-0412
Secretary	Rex Jaramillo	213-706-3854
Treasurer	Joan Sapper	818-326-9685
Tours	Ernie Baily	805-433-5540
Programs	Larry Caplan	818-363-2849
	Joe DiFatta	818-700-1939
Membership	Howard Brown	818-606-0267
	Joan Sapper	818-326-9685
Drive Lines	Robert Glucksman	818-618-1395
Prize Raffle	Steve Lehman	818-885-6938
50/50	Ken Sapper	818-326-1286
Ladies / Birthdays / Sunshine	Bobby Searl	818-353-6767
Name Badge	Karen Lehman	818-885-6938
Car of the Month	Jim Ellerbrock	818-437-0412
Web Master	Scott Dudrick	818-687-9836

Meeting: 1st Tuesday of the Month, 6:00p

Visit our Web Site: [valley V8s.org](http://valleyV8s.org)

Facebook: **Valley V8s**

(<https://www.facebook.com/groups/579123315803014>)

Drive Lines is Published by

The San Fernando V8's Regional Group 40

of the Early Ford V8 Club of America

9700 Farralone, Chatsworth, Ca. 91311

**For more photos of Club Events,  
Please check out Web & Facebook sites**

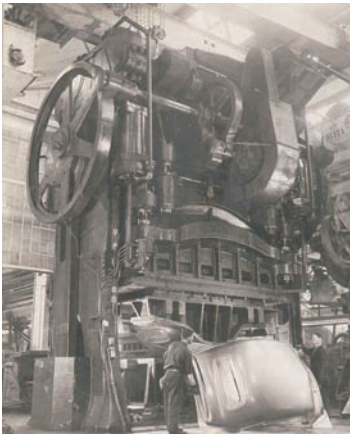
**Looks like we have a new  
"HOME" at Mimi's Cafe**

## Past Presidents

Jim Rowe	1971
Doug Peterson	1972
Don Durkee	1973-1974
Ed Warnock	1975
John Busk	1976
Chip Werstein	1977
Stan Misraje	1978
Bill Culp	1979
Al Spencer	1980
Larry Caplan	1981
Bob Rose	1982
Don Durkee	1983
Paul Kirk	1984
Kent Lowry	1985
Dave Sanborn	1986
John Kemmerer	1987
Dudley Ochsner	1988
Jerry Jensen	1989-1990
Joe DiFatta	1991
Chuck Shubb	1992-1993
George Richards	1994
Jerry Littner	1995
Dick Smith	1996
Chuck Mair	1997
Dennis Keene	1998
Rose Golt	1999
Don Stout	2000
Steve Boskovich	2001-2002
Joe DiFatta	2003
Wendi Potter	2004
Ken Sapper	2005-2006
Steven Batesole	2007
Harry Baker	2008-2009
Dave Bergman	2010
Randy Watson	2011-2012
Steve Boskovich	2013-2014
Stan Miller	2015
Don Durkee	2015
Vasken Hagopian	2016-2018
Ernie Baily	2019-????

**Mimi's Cafe**  
19710 Nordoff Pl.  
Chatsworth, Ca. 91311

**Our Next Meeting**  
**\*5 JULY 22\***



And now for some  
"Pressing" News

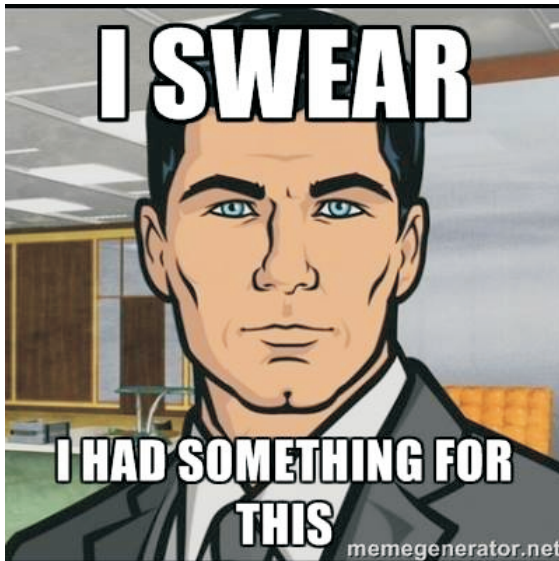
**What are you doing to stay Sane**  
**Write Me something**



**"Your Ad Here"**

For only \$5.00 a month,  
**YOU**  
can have your  
business card ad  
right here

For more details,  
Please call or Email Rob at  
818-882-2002, / madmodelr@aol.com  
Please put "Drivelines" in the subject  
Please make all payments to  
"Valley V8 Club"



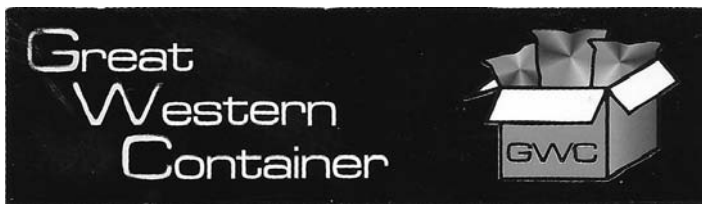
**HELLO FELLOW MEMBERS**

We would like to know more about You, Your Car...  
So, What I would like from our members is a picture of you  
with your car, with a small story. (1 Paragraph)  
That way, We get to learn more about our members, & we  
can put a face to a name & car

Please make all submissions to ether  
"Drivelines" at madmodelr@aol.com, or  
"Drivelines" 9700 Farralone Ave. Chatsworth, Ca. 91311

*Thank You*

Rob Glucksman, DL Editor



SOLUTIONS IN PACKAGING AND GRAPHIC DESIGN

**Steve Boskovich**

Office (818) 341-2291  
Cell (818) 903-6620  
Fax (818) 341-1050

P.O. Box 4074  
Chatsworth CA 91313



**AL MOONEY**  
C.F.O.

8744 REMMET AVE.  
CANOGA PARK, CA 91304  
(818) 998-0199  
FAX (818) 341-2073

al@mooneyindustries.com

**SPEEDWAY  
ENGINEERING**



**Ken Sapper**  
President

ken@1speedway.com  
Office: 818.362.5865  
Cell: 818.326.1286  
Fax: 818.362.5608  
13040 Bradley Avenue  
Sylmar, CA. 91342  
www.1speedway.com

MIKE QUIROGA  
President/CEO  
O: 818.780.8820  
F: 818.780.1713

16046 Blythe St.  
Van Nuys, CA 91406



ANNIVERSARY 1972-2012

MIKE'S GOT YOU COVERED

www.mikesbuilding.com

# From The President

Hello Everyone,

Hope is all is well with everyone. To start out with the "Drive your V8" club event was very nice, although I thought we might have had a few more cars but the event was very nice and it wasn't to hot. I'm submitting the brief story to the National V8 Times for their "Drive your V8" feature.

There were some issues with our meeting room at Mimi's, but Jim and I are meeting with the manager to hopefully resolve or we may have to find another location for our meetings. Also I hope to finalize the Roster issue shortly.

We are also discussing a Design Contest for the cover of the 2023 Roster. Also the Club is going support Steve Boscovich's annual summer BBQ party, date and details to be announced soon .

Our next club tour is to the Valley Relics Museum on July 9th.(Details at the meeting). Our following event is on July 24th "Old Fashioned Day in the Park" Car Show at Burton Chace Park in Marina Del Rey. (Fliers at the Meeting).

As far as my old car projects go I'm replacing the radiator on my brother's 56 Studebaker Golden Hawk along with some other misc items. I'm hoping to finish installing the newly painted valve covers on the 56 Packard 400 soon! I just finished reassembling my 48 Plymouth replacing the blown head gasket. Howard took it for its first test drive the other day and it seems to run great. Also I hope to get the A/C repaired in my 55 Dodge now that the "Hot" weather is here.

Well that is about all I can think of to mention, See you all at the meeting July 5th!

Prez Ernie

PS: I'm sending you the little article about the Drive your V8 day show. which I'm also sending the National V8 Tim

---

## News, in lieu of Minutes

Kenny is being honored at Nascar.

Roster- having to reprint and corrected

Pay dues- or not in roster

Steve-51 Ford- couldn't start- amp meters loose

Joe introduced Al and Brian Mooney

Al talked about his life and Brian brought the shop up to date.

---

## Honors....

Our Speaker for our July 5th, will be our very own Kenny Sapper

Ken has been a member of our S.F Valley Ford V8 club since 1990

He is also the Owner of Speedway Engineering, &&& The most recent inductee to the Motor Sports "Hall of Fame"

Ken is a former Race Car driver, as well as being involved in other things race car related.

Ken's Beautiful wife Joanie has been the club Treasure for many years



# Joe's Tour..

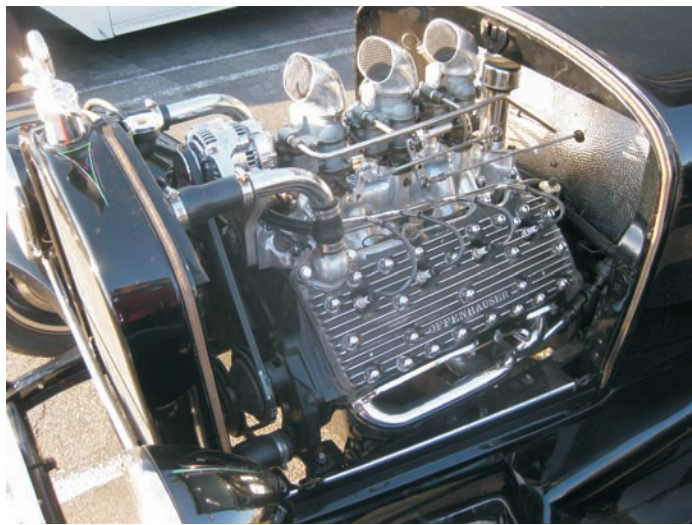
## *Drive Your V8/ Fathers Day 2022*

The day started out to be a beautiful Southern California day. Our Past President Joe Difatta setup our tour. We were having a showing at "The Brookdale Senior Living Center" in Chatsworth, Ca. Which we decided to make it our clubs "Drive your V8" event. We had hoped for 20+ cars but due to the Fathers Day weekend which has a lot of other events to chose from and along with family events, we had a small turnout. Although we had three Beautiful 57 Chevys, 35 Ford Cabrolet, 34 Ford 2dr Sedan, our Vice Presidents 65 Ford Galaxie Convertible, a very nice 57 Ford Ranchero and of course my 55 Dodge Custom Royal Lancer. We did have one "Hard Luck" problem, Steve Boscovich had a problem with his 1951 Ford convertible. It seems the problem might be a rear universal joint. Steve had to have it towed back home and then he came over to the car show to give us the update. Stacie Minowitz and the other staff were "Great" hosts. They provided tables and a large covering which was prefect as they also provided a very tastie lunch for the participants. The Senior residents came out to view the cars and reminisce about the cars of their youth. I had a lot of fun trying to be the tour guide for them explaining about the cars. Everyone had a great time talking and remembering. It looks like we might try to do this again on a non-holiday weekend with a lot of preplanning to make it a bigger show.



# Car of the Month

The C.O.T.M. was won by Mr. Vasken Hagopian, & his newly acquired Tall T



---

## SPEAKER

Al talked about his life and Brian brought the shop up to date.

