



Drive Lines

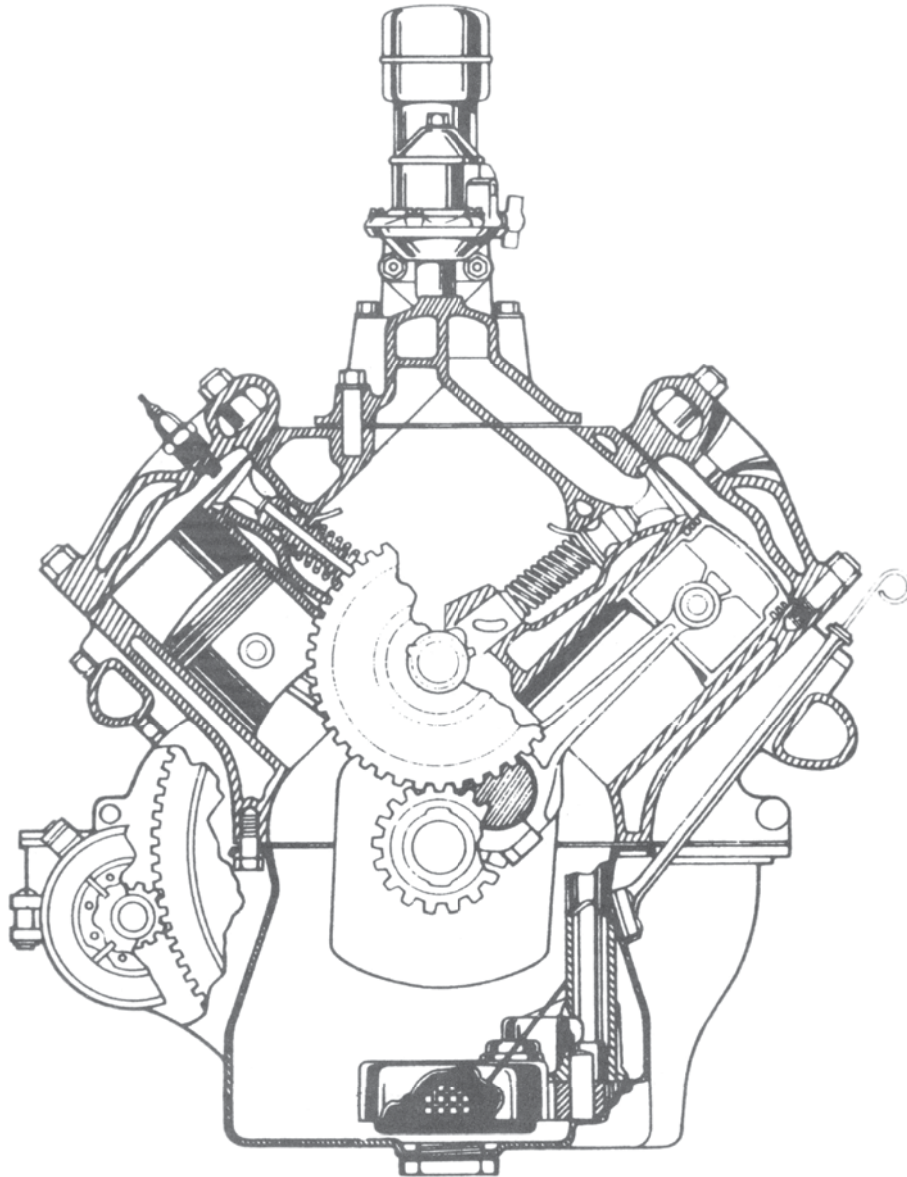
Chapter #40

Sep 22

Our 51st Year

Visit Our Website

"ValleyV8s.org"



The Valley V8's
9700 Farralone, Chatsworth, Ca. 91311

The Valley V's

2022

President	Ernie Baily	805-433-5540
Past Presidents	Vaskin Hagopian	323-661-2044
Vice President	Jim Ellerbrock	818-437-0412
Secretary	Rex Jaramillo	213-706-3854
Treasurer	Joan Sapper	818-326-9685
Tours	Ernie Baily	805-433-5540
Programs	Larry Caplan	818-363-2849
	Joe DiFatta	818-700-1939
Membership	Howard Brown	818-606-0267
	Joan Sapper	818-326-9685
Drive Lines	Robert Glucksman	818-618-1395
Prize Raffle	Steve Lehman	818-885-6938
50/50	Ken Sapper	818-326-1286
Ladies / Birthdays / Sunshine	Bobby Searl	818-353-6767
Name Badge	Karen Lehman	818-885-6938
Car of the Month	Jim Ellerbrock	818-437-0412
Web Master	Scott Dudrick	818-687-9836

Meeting: 1st Tuesday of the Month, 6:00p

Visit our Web Site: valley V8s.org

Facebook: **Valley V8s**

(<https://www.facebook.com/groups/579123315803014>)

Drive Lines is Published by
The San Fernando V8's Regional Group 40
of the Early Ford V8 Club of America
9700 Farralone, Chatsworth, Ca. 91311

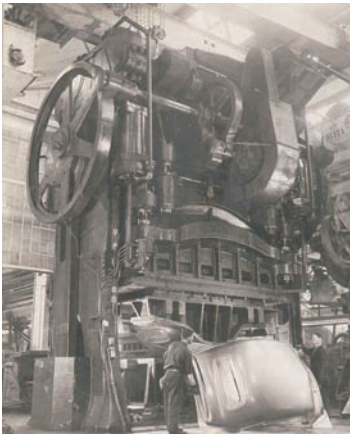
**For more photos of Club Events,
Please check out Web & Facebook sites**

**Lulu's Restaurant
& Sports Bar
16900 Roscoe Blvd,
Van Nuys, CA 91406**

Past Presidents

Jim Rowe	1971
Doug Peterson	1972
Don Durkee	1973-1974
Ed Warnock	1975
John Busk	1976
Chip Werstein	1977
Stan Misraje	1978
Bill Culp	1979
Al Spencer	1980
Larry Caplan	1981
Bob Rose	1982
Don Durkee	1983
Paul Kirk	1984
Kent Lowry	1985
Dave Sanborn	1986
John Kemmerer	1987
Dudley Ochsner	1988
Jerry Jensen	1989-1990
Joe DiFatta	1991
Chuck Shubb	1992-1993
George Richards	1994
Jerry Littner	1995
Dick Smith	1996
Chuck Mair	1997
Dennis Keene	1998
Rose Golt	1999
Don Stout	2000
Steve Boskovich	2001-2002
Joe DiFatta	2003
Wendi Potter	2004
Ken Sapper	2005-2006
Steven Batesole	2007
Harry Baker	2008-2009
Dave Bergman	2010
Randy Watson	2011-2012
Steve Boskovich	2013-2014
Stan Miller	2015
Don Durkee	2015
Vasken Hagopian	2016-2018
Ernie Baily	2019-????

**Our Next Meeting
*6 Sept 22***



And now for some
"Pressing" News

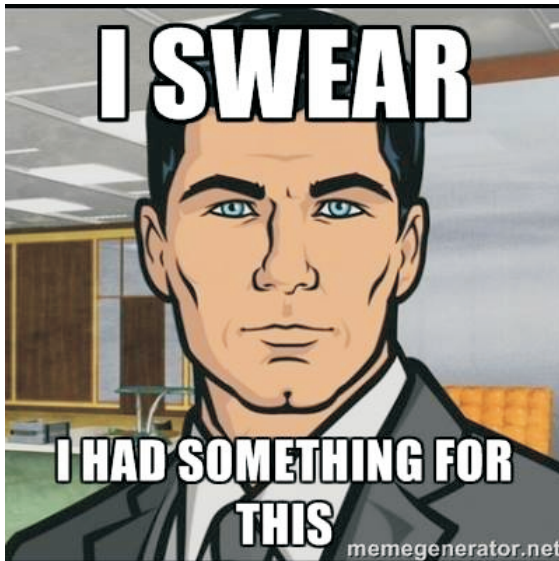
What are you doing to stay Sane
Write Me something



"Your Ad Here"

For only \$5.00 a month,
YOU
can have your
business card ad
right here

For more details,
Please call or Email Rob at
818-882-2002, / madmodelr@aol.com
Please put "Drivelines" in the subject
Please make all payments to
"Valley V8 Club"



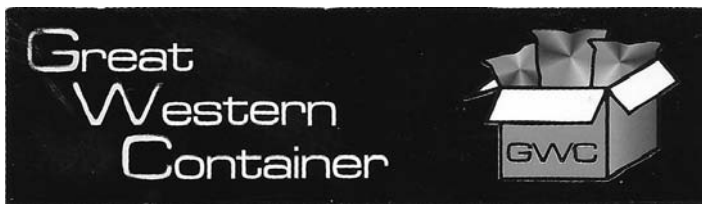
HELLO FELLOW MEMBERS

We would like to know more about You, Your Car...
So, What I would like from our members is a picture of you
with your car, with a small story. (1 Paragraph)
That way, We get to learn more about our members, & we
can put a face to a name & car

Please make all submissions to ether
"Drivelines" at madmodelr@aol.com, or
"Drivelines" 9700 Farralone Ave. Chatsworth, Ca. 91311

Thank You

Rob Glucksman, DL Editor



SOLUTIONS IN PACKAGING AND GRAPHIC DESIGN

Steve Boskovich

Office (818) 341-2291
Cell (818) 903-6620
Fax (818) 341-1050

P.O. Box 4074
Chatsworth CA 91313



AL MOONEY
C.F.O.

8744 REMMET AVE.
CANOGA PARK, CA 91304
(818) 998-0199
FAX (818) 341-2073

al@mooneyindustries.com

**SPEEDWAY
ENGINEERING**



Ken Sapper
President

ken@1speedway.com
Office: 818.362.5865
Cell: 818.326.1286
Fax: 818.362.5608
13040 Bradley Avenue
Sylmar, CA. 91342
www.1speedway.com

MIKE QUIROGA
President/CEO
O: 818.780.8820
F: 818.780.1713

16046 Blythe St.
Van Nuys, CA 91406



ANNIVERSARY 1972-2012
MIKE'S GOT YOU COVERED

www.mikesbuilding.com

From The President

Hello Everyone,

Well, Are we all enjoying the HEAT! Well the couple of days before our "Wings Over Camarillo" air show tour I came down with my second bout of heat exhaustion, I thought sure I was going to miss the tour I setup. Well that morning Aug, 21st I was feeling fair and decided to go on the tour (my wife really got after me for going). But I knew I would try to very care full and not do to much walking around. I basically sat under a umbrella and watched the Air Show which was very good. We also got to see a couple of F-18s take off (boy are those loud). Everything went well with the tour ,we had 4 Vintage cars: My 48 Plymouth which Howard Brown rode with me, Jim Ellerbrock drove his 66 Galaxie, and Ron Batesole with his 64 Vette (he said he passed on his 35 Ford to his son) and from the Studebaker club Steve Hedke with his 1964 Studebaker Daytona. We had a nice easy drive out to the Camarillo Airport and were able to pull right in just before the entry cutoff. This allowed us an end row which allowed us to be up front to view the flybys. Also added feature was own club member Ed "Isky" Iskenderian was being celebrated as a Icon in the Automotive/Aeronotics world, a WW11 Veteran and also celebrating his 101st Birthday. I did get a chance to shake is hand and talk about the Valley V8 Club with him. I took some pictures but because the planes were high they didn't turn out very good, just one of the cars and one of us sitting and talking. All in all it was a great day! The Plymouth worked like a charm!

Well I will be at the meeting this time (hopefully no heat exhaustion) So I hope to see you all at the meeting Tuesday Sept 6th at Lulu's Restaurant 16900 Roscoe Blvd. Lake Balboa 91406

Prez. Ernie

From the Editor

So, Most of you all that know Me, & know the beast that I drive, (55 Ford) & may have heard Me driving, from 100+ miles away.

Well, No More. I finally got My exhaust system fixed, & I need to give a BIG shout out to the great people at Reseda Muffler. As they came thru for My Son when he got his converter stolen They came thru for me

Thanks Guys.....

Rob / DLE



RESEDA MUFFLERS
FOREIGN & DOMESTIC

- Catalytic Converters
- Mufflers (High Performance)
- Exhaust Systems
- Speciatist in Custom Bending

Tel: (818) 344-4904
7444 Reseda Blvd. Unit C
Reseda, CA 91335

Ask for ZEE
Free Estimate

September Stuff

Looks like we will have Ken Sapper and Steve Boskovich for our Sept meeting!!!
Steve and Ken talk about being in Big Bear for the car show?!?!?!?!?

October Auction

Yep, it's that time, time to bring "SOME" of the stuff you dont want to our upcoming Oct. Meeting



Chapter 40 San Fernando Valley V-8's
Monthly Meeting Minutes for
Tuesday, August 9, 2022

Meeting called to order at 7:00 pm by Vice-President Jim Ellerbrock in absence of our President Ernie Baily with our Pledge of Allegiance. Jim recognized and greeted the following guests to our meeting: Joe Dorame and Scott and Gladys Capiello, both friends of John Fredricks. Also, Al and Joyce Mooney's nephew Gabriel, here from Missouri. Welcome to all of you!

Meeting was held at Lulu's Restaurant in Van Nuys, in a lovely large, secluded room. Seemed to work very well. This room is available on first Tuesday evening of every month starting in September. The well-lit parking lot is also perfect for our Fords!

Tours: Budweiser Brewery in conjunction with the Burbank Road Kings is putting on a Charity Car Show, October 17th. Information is available online.

Special Events: Steve Boskovich reminded us of our special summer Club's 50th Birthday Party BBQ, to be held at the Boskovich home. Burgers and cake will be provided by our club, sign up for appetizers and side dishes. Fun 40's/50's entertainment after our feast. Starts at 3:00, Saturday August 27. RSVP to Steve @ 818-903-6620. Help is also needed for setup and cleanup.

Recognition was given to Rob Glucksman for the great Drive Lines newsletter. Jim also had more information about the Valley Relics Museum people. Julie, our tour guide, is niece to Glen Strange (bartender from Gunsmoke series) and close friend to the late actor Johnny Crawford. A large variety of CD's for our club were available to us from Crawford's collection. Our club approved of making a \$100 donation to the Museum.

Also, our August drivelines featured an article about the Earl's Donut Gang written by Dennis McCarthy. Quite a few of our members meet there most every Thursday morning.

Officer's Reports: Secretary-Rex was AWOL, covered by Joanie-No report. Treasurer-Joanie, no report. Driveline Editor-Rob reported All Good.

Car of the Month awarded to Blake Wilcox for his '31 Ford Woody he has had for 15 years. He saw it for sale at Pomona and "stole it". Name Badge awarded to Pam Buck by Karen Lehman. Ladies Raffle house plants won by our new member Nancy Pearson and to Joanie Sapper picked by Bobbie Searl.

Program was provided by our very own members giving their personal stories of life with their Fords. Thanks go to Steve Boskovich, Blake Wilcox, and Ken Sapper for sharing.

Meeting concluded with Ken Sapper's 50/50 drawing going to the lucky Vasken Hagopian (\$50!) and Steve Lehman's giant raffle!

Submitted by Joanie Sapper, Secretary pro te

Car of the Month

Well, My fellow "V8'ers"

I must apologize to you readers & to Mr, Blake Wilcox, I dropped the ball, I lost the Info for Blake's amazing 31 Ford Woody
Thank You, Rob / DLE



Ford Valley V8's, Summer BBQ 50+1 Year Anniversary



For the month of 6 Sept 22, Our meeting is still at **Lulu's Restaurant & Sports Bar**

