



Drive Lines

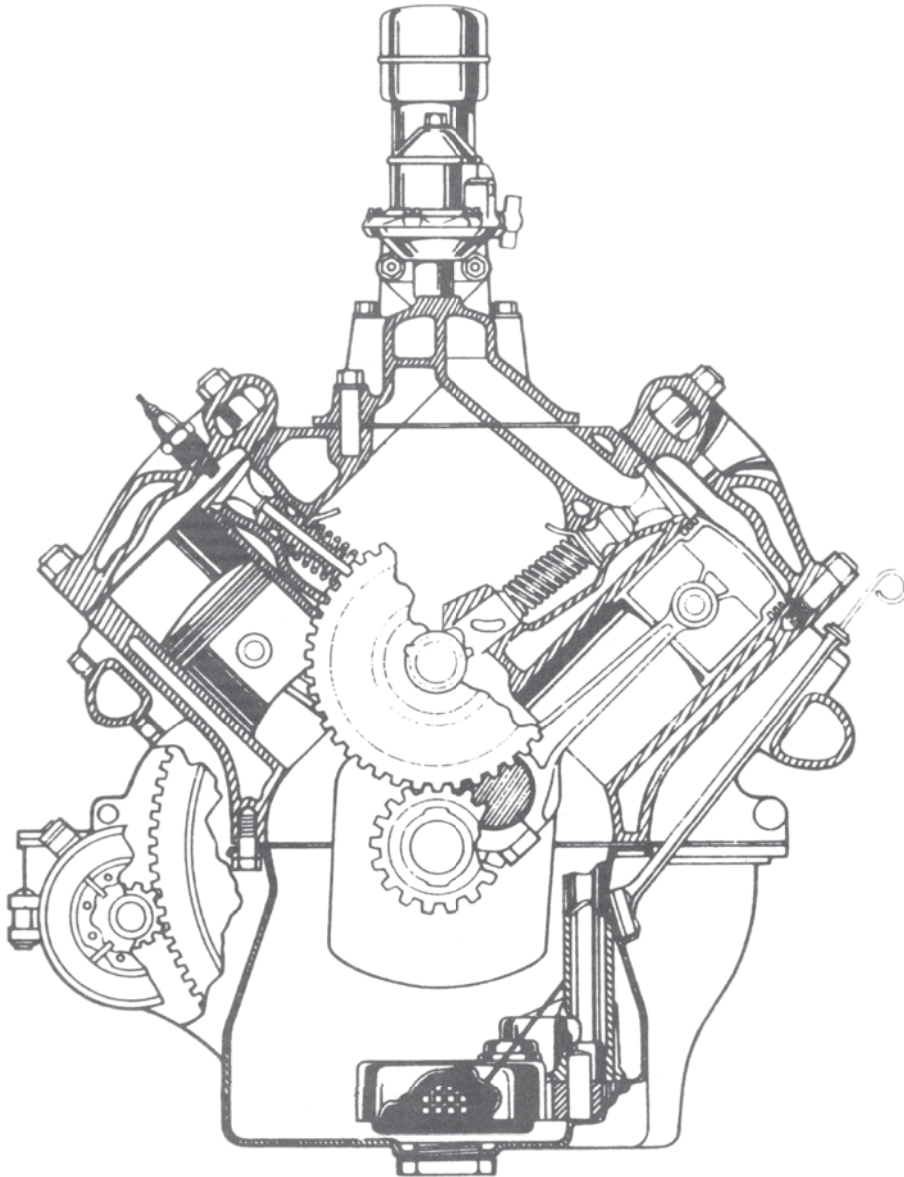
Chapter #40

Nov 22

Our 51st Year

Visit Our Website

"ValleyV8s.org"



The Valley V8's
9700 Farralone, Chatsworth, Ca. 91311

The Valley V's

2022

President	Ernie Baily	805-433-5540
Past Presidents	Vaskin Hagopian	323-661-2044
Vice President	Jim Ellerbrock	818-437-0412
Secretary	Rex Jaramillo	213-706-3854
Treasurer	Joan Sapper	818-326-9685
Tours	Ernie Baily	805-433-5540
Programs	Larry Caplan	818-363-2849
	Joe DiFatta	818-700-1939
Membership	Howard Brown	818-606-0267
	Joan Sapper	818-326-9685
Drive Lines	Robert Glucksman	818-618-1395
Prize Raffle	Steve Lehman	818-885-6938
50/50	Ken Sapper	818-326-1286
Ladies / Birthdays / Sunshine	Bobby Searl	818-353-6767
Name Badge	Karen Lehman	818-885-6938
Car of the Month	Jim Ellerbrock	818-437-0412
Web Master	Scott Dudrick	818-687-9836

Meeting: 1st Tuesday of the Month, 6:00p

Visit our Web Site: valley V8s.org

Facebook: **Valley V8s**

(<https://www.facebook.com/groups/579123315803014>)

Drive Lines is Published by
The San Fernando V8's Regional Group 40
of the Early Ford V8 Club of America
9700 Farralone, Chatsworth, Ca. 91311

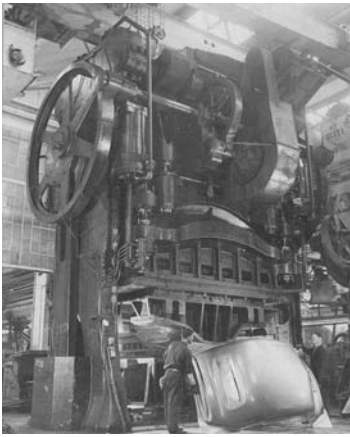
**For more photos of Club Events,
Please check out Web & Facebook sites**

**Lulu's Restaurant
& Sports Bar
16900 Roscoe Blvd,
Van Nuys, CA 91406**

Past Presidents

Jim Rowe	1971
Doug Peterson	1972
Don Durkee	1973-1974
Ed Warnock	1975
John Busk	1976
Chip Werstein	1977
Stan Misraje	1978
Bill Culp	1979
Al Spencer	1980
Larry Caplan	1981
Bob Rose	1982
Don Durkee	1983
Paul Kirk	1984
Kent Lowry	1985
Dave Sanborn	1986
John Kemmerer	1987
Dudley Ochsner	1988
Jerry Jensen	1989-1990
Joe DiFatta	1991
Chuck Shubb	1992-1993
George Richards	1994
Jerry Littner	1995
Dick Smith	1996
Chuck Mair	1997
Dennis Keene	1998
Rose Golt	1999
Don Stout	2000
Steve Boskovich	2001-2002
Joe DiFatta	2003
Wendi Potter	2004
Ken Sapper	2005-2006
Steven Batesole	2007
Harry Baker	2008-2009
Dave Bergman	2010
Randy Watson	2011-2012
Steve Boskovich	2013-2014
Stan Miller	2015
Don Durkee	2015
Vasken Hagopian	2016-2018
Ernie Baily	2019-????

Our Next Meeting
1 Nov 22



And now for some
"Pressing" News

What are you doing to stay Sane
Write Me something



"Your Ad Here"

For only \$5.00 a month,
YOU
can have your
business card ad
right here

For more details,
Please call or Email Rob at
818-882-2002, / madmodelr@aol.com
Please put "Drivelines" in the subject
Please make all payments to
"Valley V8 Club"



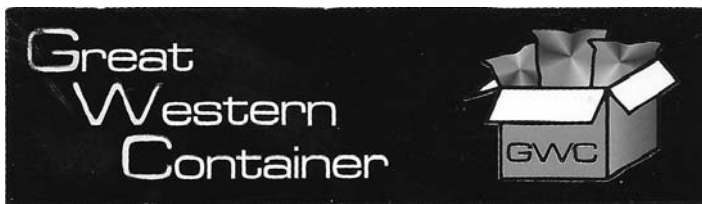
HELLO FELLOW MEMBERS

We would like to know more about You, Your Car...
So, What I would like from our members is a picture of you
with your car, with a small story. (1 Paragraph)
That way, We get to learn more about our members, & we
can put a face to a name & car

Please make all submissions to ether
"Drivelines" at madmodelr@aol.com, or
"Drivelines" 9700 Farralone Ave. Chatsworth, Ca. 91311

Thank You

Rob Glucksman, DL Editor



SOLUTIONS IN PACKAGING AND GRAPHIC DESIGN

Steve Boskovich

Office (818) 341-2291
Cell (818) 903-6620
Fax (818) 341-1050

P.O. Box 4074
Chatsworth CA 91313



8744 REMMET AVE.
CANOGA PARK, CA 91304
(818) 998-0199
FAX (818) 341-2073

AL MOONEY
C.F.O.

al@mooneyindustries.com

**SPEEDWAY
ENGINEERING**



Ken Sapper
President

ken@1speedway.com
Office: 818.362.5865
Cell: 818.326.1286
Fax: 818.362.5608
13040 Bradley Avenue
Sylmar, CA. 91342
www.1speedway.com

MIKE QUIROGA
President/CEO
O: 818.780.8820
F: 818.780.1713

16046 Blythe St.
Van Nuys, CA 91406



ANNIVERSARY 1972-2012

MIKE'S GOT YOU COVERED

www.mikesbuilding.com

From The President

Well, Here we are at the end of another year. For those of you who missed our annual auction , it was fun! However I'm not the best auctioneer, That honor rests with our past President Don Durkee. He was always the "Show" and I think our club benefited the most with his showmanship. I did not hear what the final total was, but it seemed like we had a lot of stuff!

Remember we have our final meeting coming up on Nov. 1st, so I hope to see you all there. We will have info regarding the Annual Holiday/Xmas party, our VP Jim Ellerbrock will give the final details and will be accepting checks for the event.

Also our own webmaster Scott Doudrick will not be at the meeting and we hope to pass on info for the November 12th tour to Paradise Cove. He is planning to have a tour start at Woodley Park at 9am and tour to the restaurant arriving at 10am. He mentioned that the parking is \$10 as long as you are there for 4hrs. Please confirm with Scott via his email: doudrick@sbcglobal.net

Also remember to vote for the new officers for 2023 (a number of us have been doing it for a few years a couple of us will be stepping down, so we will have a couple of vacant positions to fill and its a great way to get to know the membership and guide the club in the future). I have asked Rob to include a Ballot of sorts along with a Membership Renewal form in the Drivelines and also remember to renew your National Membership as well. Well that is about all I can think of at this time as I'm late getting Presidents Message to Rob (I'm Late again!)

See You at the Meeting!

Prez Ernie

Chapter 40 -- San Fernando Valley V-8's Club Monthly Meeting Minutes for Tuesday Oct. 4, 2022

7:00 pm Meeting called to order

President Ernie Baily launched the Meeting by leading us in the flag salute.

Opening Comments: Ernie shared information about upcoming and ongoing car shows and get-togethers.

Officers needed: November is the time of year to consider taking a Club office. Please let Ernie know if you can help.

Guests: Long-time Club members Ruth and Rich Mottern came back to visit. Welcome back you two! Hope to see you again.

7:05 pm: Break called

7:20 pm: Meeting Resumed

Program for the Evening:

The October program was our annual fund-raiser Auction. Through the generosity of our Club members, we did pretty well. Thanks to all members that contributed their car-related treasures and to all the bidders who gave the money to make it happen. Our most excellent auctioneer was President Ernie Baily, assisted by Steve Boskovich, Howard Brown, and Jim Ellerbrock. And Val Ellerbrock did a fabulous job of keeping track of who bought what and tallying the numbers at the end. Well done, all of you!

There were no officer reports, raffles, 50/50, Car-of-the-Month, Name Badge awards, etc. due to the big Auction.

8:30 pm: Meeting adjourned.

**The Valley V-8's
2023 Membership Application & Renewal Form**

In order to continue to receive the Drivelines and remain in the roster

Or to join our club

Please renew your membership by February 15, 2023

Name: _____ **Birthday Month:** _____ **Day:** _____

Spouse: _____ **Birthday Month:** _____ **Day:** _____

Address: _____ **City:** _____ **State & Zip** _____

Phones - Home _____ **Cell** _____ **Work** _____

Email: _____

Occupation: _____

Year Joined: _____

Early Ford V-8 Vehicle(s) Owned - if same as prior year write "NO CHANGE"

<u>Year</u>	<u>Make</u>	<u>Model</u>	<u>Body</u>	<u>Style</u>

For Regional Membership: Send a \$35.00 check - payable to: Valley V-8's

**Mail check to: Valley V8's C/O Howard Brown, 20036 Tuba St. Chatsworth, Ca.
91311**

If you have any questions please call 818-606-0267 Email: brngarage@gmail.com

NOTE: For us to meet insurance requirements, a Regional Group Member MUST also be a member of the Early Ford V-8 Club of America. Minimum membership is \$35.00 per year. Please contact me for mailing information or <http://www.earlyfordv8.org>

Valley V8's Board of Directors, Voting Ballot
Please fill out, Yes / Continue, or No, with a Write in
Thank You

Here are the officer positions:

- President: Current President- Ernie Baily / _____
- Vice President: Current VP- Jim Ellerbrock / _____
- Secretary: Current Sec- Rex Jamamillo / _____
- Treasurer: Current Treasurer- Joan Sapper / _____
- Tours: Current Tours- Kenny Sapper / _____
- Programs: Current- Larry Caplan & Joe DiFatta / _____
- Membership: Current- Howard Brown / _____
- Editor: Current- Rob Glucksman / _____
- Raffle: Current- Steve Lehman / _____
- 50/50: Current- Kenny Sapper / _____
- Ladies/Birthdays: Current- Bobby Searl / _____
- Web Master: Current- Scott Dudrick / _____
- Name Badge: Current- Karen Lehman / _____
- Tech Advisor: / _____
- Write-In / _____

Membership dues notice

Hello fellow Valley V8 members. It's that time again; time to pay our membership dues for 2023 Please use the form included in this issue of Drivelines; fill it out, enclose a check and mail to the address indicated on the form. Also included is the membership form for the Early Ford V8 Club of America. It IS a rule that we belong to the national club to be permitted to belong to our chapter, so please join if you are not presently a member, or rejoin.

SAN FERNANDO VALLEY V8's



Early Ford V-8 Holiday Brunch



**YOU ARE
NOT ALONE**

We provide safety, shelter and support to domestic violence survivors.

Get help through our 24/7 Crisis Line at 818-887-6589

Date: Sunday, December 11, 2022

Time: 11:00 to 1:30

Location: Woodland Hills Country Club
21150 Dumetz Road
Woodland Hills, Ca. 91364

(note: Entrance is just west of Escobedo Street)

Cost: \$35 for members, \$35 for spouses of members, \$40 for Guests

Make checks payable to: Early Ford V-8 Club

Mail to: Jim Ellerbrock
10937 Babbitt Ave,
Granada Hills, Ca. 91344

**PLEASE, help us support
Haven Hills,
Bring a Gift for Moms & Toys for
Kids to the Holiday Party
Thank You for your Generous
Contributions**



I will also be available at our next meeting,
November 1, 2022, to take checks.

*Entertainment: The "Sugar Sisters" from the
Summer BBQ will be returning*

Names of Party Goers: _____

Home Phone: _____

Amount Enclosed: _____





Date: Sunday, December 11, 2022
Time: 11:00 to 1:30
Location: Woodland Hills Country Club
21150 Dumetz Road
Woodland Hills, Ca. 91364
(note: Entrance is just west of Escobedo Street)

Cost: \$35 for members, \$35 for spouses of members, \$40 for Guests

Make checks payable to: Early Ford V-8 Club
Mail to: Jim Ellerbrock

Holiday Brunch Map

TOURS

Paradise Cove

Our own webmaster Scott Doudrick will not be at the meeting and we hope to pass on info for the November 12th tour to Paradise Cove. He is planning to have a tour start at Woodley Park at 9am & tour to the restaurant arriving at 10am. He mentioned that the parking is \$10 as long as you are there for 4hrs. Please





You're invited to Join

Mail In Membership Application Form



Early Ford V-8 Club of America



An International Organization

MEMBERSHIP APPLICATION

New Membership *Check Box as Required* Renewal Membership

MEMBER NAME _____ Regional Group: _____

JOINT NAME _____

ADDRESS _____

CITY _____ STATE _____ ZIP _____

TELEPHONE _____ COUNTRY _____

CAR(S) OWNED

<u>YEAR</u>	<u>MAKE</u>	<u>TRIM</u>	<u>ENGINE</u>	<u>BODY STYLE</u>
<i>Sample: 1940</i>	<i>FORD</i>	<i>DELUXE</i>	<i>V-8</i>	<i>TUDOR SEDAN</i>
_____	_____	_____	_____	_____
_____	_____	_____	_____	_____

PLEASE SEND FORM & PAYMENT TO:
THE EARLY FORD V-8 CLUB OF AMERICA
 c/o Cornerstone Registration, Ltd.
 P.O. Box 1715 Toll Free (866) 427-7583 (in USA)
 Maple Grove, MN 55311 (763) 420-7829 / FAX (763) 420-7849
 Email: registration@cornerstonereg.com

Credit Card: VISA MASTERCARD (circle one)
 CARD # _____
 EXPIRATION DATE: _____
 SIGNATURE: _____

ALL FUNDS ARE US \$

United States

Annual-Surface Mail
 Regular Membership \$35, Joint Membership \$38
 Three Year-Surface Mail
 Regular Membership \$100, Joint Membership \$109

Canada

Annual-Surface Mail
 Regular Membership \$55, Joint Membership \$58
 Three Year-Surface Mail
 Regular Membership \$150, Joint Membership \$160

Mexico, South America, Europe & Pacific Rim

Annual-Surface Mail
 Regular Membership \$70, Joint Membership \$75
 Three Year-Surface Mail
 Regular Membership \$200, Joint Membership \$210

NEW: Digital Format for Both Magazine and Annual Roster (digital version emailed to you, no magazine or roster mailed)

Annual Digital Membership
 Regular Digital Membership \$30
 Your Email Address: _____

Membership without V8 TIMES Delivery	One-Year	Three-Year
<input type="checkbox"/> U.S. & All Foreign Countries:	Regular \$15 Joint \$18	Regular \$45 Joint \$54 <i>WITH</i> Membership Roster only.
<input type="checkbox"/> U.S. & All Foreign Countries:	Regular \$ 5 Joint \$ 5	Regular \$15 Joint \$15 <i>WITHOUT</i> Membership Roster.

Thank you for Joining or Renewing your membership in The Early Ford V-8 Club of America

How did you find out about us? _____

Early Ford V-8 Club of America

An International Organization

Established in 1963 We are dedicated to the restoration and preservation of all Ford Motor Company vehicles, 1932 through 1953.