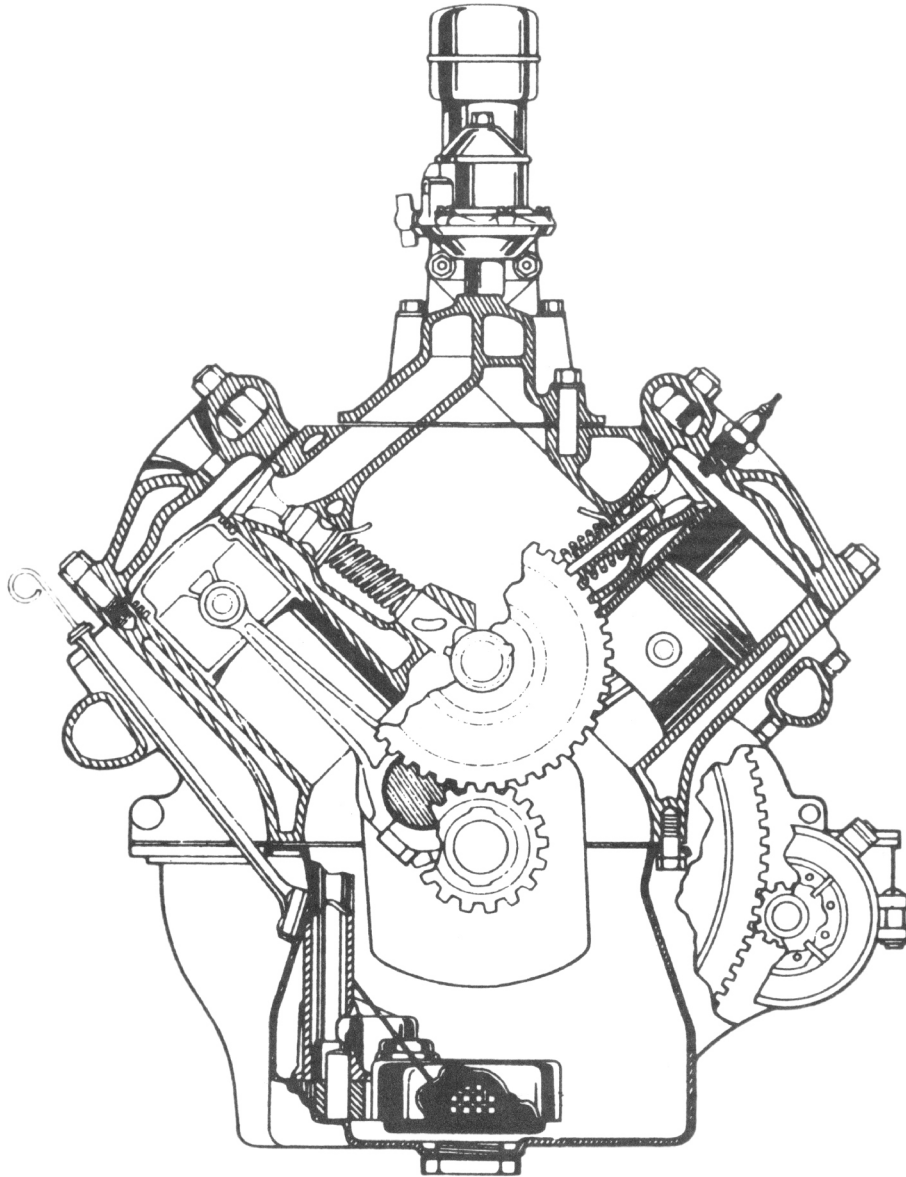




Drive Lines

Chapter #40
Our 52nd Year
Visit Our Website
" ValleyV8s.org "

May 23



The Valley V8's
9700 Farralone, Chatsworth, Ca. 91311

The Valley V's

2023

President	Jim Ellerbrock	818-437-0412
Past Presidents	Ernie Baily	805-433-5540
Vice President	Bill Greene	818-606-2874
Secretary	LOOKING FOR A VOLUNTEER	
Treasurer	Joan Sapper	818-326-9685
Tours	Ernie Baily	805-433-5540
Programs	Larry Caplan	818-363-2849
	Joe DiFatta	818-700-1939
Membership	Howard Brown	818-606-0267
Drive Lines	Robert Glucksman	818-618-1395
Prize Raffle	Steve Lehman	818-885-6938
50/50	Ken Sapper	818-326-1286
Ladies / Birthdays / Sunshine	Bobby Searl	818-353-6767
Name Badge	Karen Lehman	818-885-6938
Car of the Month	Members	
Web Master	Scott Dudrick	818-687-9836
Tech Addv	Jerry Case	

Meeting: 1st Tuesday of the Month, 6:00p

Visit our Web Site: valley V8s.org

Facebook: **Valley V8s**

(<https://www.facebook.com/groups/579123315803014>)

Drive Lines is Published by
The San Fernando V8's Regional Group 40
of the Early Ford V8 Club of America
9700 Farralone, Chatsworth, Ca. 91311

**For more photos of Club Events,
Please check out Web & Facebook sites**

Past Presidents

Jim Rowe	1971
Doug Peterson	1972
Don Durkee	1973-1974
Ed Warnock	1975
John Busk	1976
Chip Werstein	1977
Stan Misraje	1978
Bill Culp	1979
Al Spencer	1980
Larry Caplan	1981
Bob Rose	1982
Don Durkee	1983
Paul Kirk	1984
Kent Lowry	1985
Dave Sanborn	1986
John Kemmerer	1987
Dudley Ochsner	1988
Jerry Jensen	1989-1990
Joe DiFatta	1991
Chuck Shubb	1992-1993
George Richards	1994
Jerry Littner	1995
Dick Smith	1996
Chuck Mair	1997
Dennis Keene	1998
Rose Golt	1999
Don Stout	2000
Steve Boskovich	2001-2002
Joe DiFatta	2003
Wendi Potter	2004
Ken Sapper	2005-2006
Steven Batesole	2007
Harry Baker	2008-2009
Dave Bergman	2010
Randy Watson	2011-2012
Steve Boskovich	2013-2014
Stan Miller	2015
Don Durkee	2015
Vasken Hagopian	2016-2018
Ernie Baily	2019-2022
Jim Ellerbrock	2023 - ????

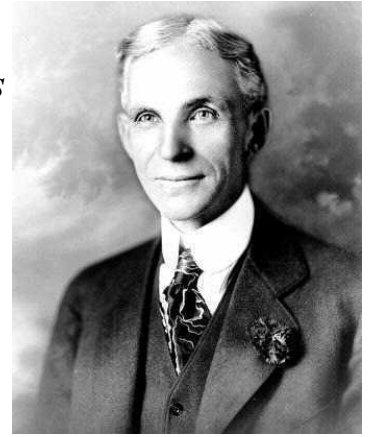
Our Next Meeting
2 May 23

HELLO FELLOW MEMBERS

We would like to know more about You, Your Car...
So, What I would like from our members is a picture of you with your car, with a small story. (1 Paragraph)
That way, We get to learn more about our members, & we can put a face to a name & car
Please make all submissions to ether "Drivelines" at madmodelr@aol.com, or "Drivelines" 9700 Farralone Ave. Chatsworth, Ca. 91311

Thank You
Rob Glucksman, DL Editor

And now for some "Pressing" News



This could be YOU
For ONLY \$5.00 a month
You can be seen by every member of the club, as well as supporting the club
Such a Deal....
If you can find a better deal, Still deal with your club

Woodland Hills Country Club

Rebecca Bauman
Director of Private Events

21150 Dumetz Road
Woodland Hills, CA 91364

Tel: (818) 347-1511, ext. 226
rebecca@woodlandhillsc.org

"Your Ad Here"
For only \$5.00 a month, YOU can have your business card ad right here

For more details, Please call or Email Rob at 818-882-2002, / madmodelr@aol.com Please put "Drivelines" in the subject Please make all payments to "Valley V8 Club"

Great Western Container

SOLUTIONS IN PACKAGING AND GRAPHIC DESIGN

Steve Boskovich

Office (818) 341-2291
Cell (818) 903-6620
Fax (818) 341-1050

P.O. Box 4074
Chatsworth CA 91313

MOONEY INDUSTRIES
Precision Machining Inc.

8744 REMMET AVE.
CANOGA PARK, CA 91304

(818) 998-0199
FAX (818) 341-2073

AL MOONEY
C.F.O.
al@mooneyindustries.com

SPEEDWAY ENGINEERING



Ken Sapper
President
ken@1speedway.com
Office: 818.362.5865
Cell: 818.326.1286
Fax: 818.362.5608
13040 Bradley Avenue
Sylmar, CA. 91342
www.1speedway.com

MIKE QUIROGA
President/CEO
O: 818.780.8820
F: 818.780.1713

16046 Blythe St.
Van Nuys, CA 91406

MIKE'Sth
ROOFING & BUILDING
ANNIVERSARY 1972-2012
MIKE'S GOT YOU COVERED

www.mikesbuilding.com

From The President



Message from Prez Jim Ellerbrock

Thanks to all who attended the April 4th Meeting.

Things have been a little slow for car activities this month. My apologies for the short article as I have been dealing with personal issues. All are encouraged to submit ideas for day trips, guest speakers and articles for the "Driveline".

The Secretary and Program Director positions are still open. Looks as if we will not have recorded minutes until we get a new secretary. If anyone is slightly interested, please let us know as we can split up the responsibilities to lighten the task. Thanks again to Rex for his six years of service as secretary.

Howard has been working with Joanie Sapper to finalize the final list for the roster. It should be out soon.

Val and I would like to thank everyone who remembered us during the past few weeks and attending Matt's Funeral. Loosing a child is tough but having friends is a great blessing. See you next meeting.

From the Editors Desk



Robert Glucksman

Well, Howdy Folks

This is a SHORT news letter, WHY,

1st off, We have no Minuets, WHY, We have no secretary

2nd, Between the weather issues, some personal issues, & in My case, I have been swapped with work, We just havent had time to plan any tours

We have also suspender the "Car of the Month" due to the lack of different old cars being drivem

Than should change, I hope with it staying light out longer

So, In closing, For / From Myself, I apoligize

However, IF... Anyone has anything they would like to suggest, We are always open

Thanks, & RIDE WELL